



Co-funded by the  
Erasmus+ Programme  
of the European Union



# ERASMUS+ PRINTeL Project

No 585760-EPP-1-2017-1-AM-EPPKA2-CBHE-JP

Change in Classroom: Promoting Innovative Teaching & Learning  
to Enhance Student Learning Experience in Eastern Partnership  
Countries

FINAL DISSEMINATION ONLINE CONFERENCE

“CHANGE IN THE CLASSROOM”

29 September, 2021

**OVERALL PRESENTATION OF THE PROJECT OBJECTIVES &  
RESULTS**

Armen Budaghyan

Project coordinator, YSU

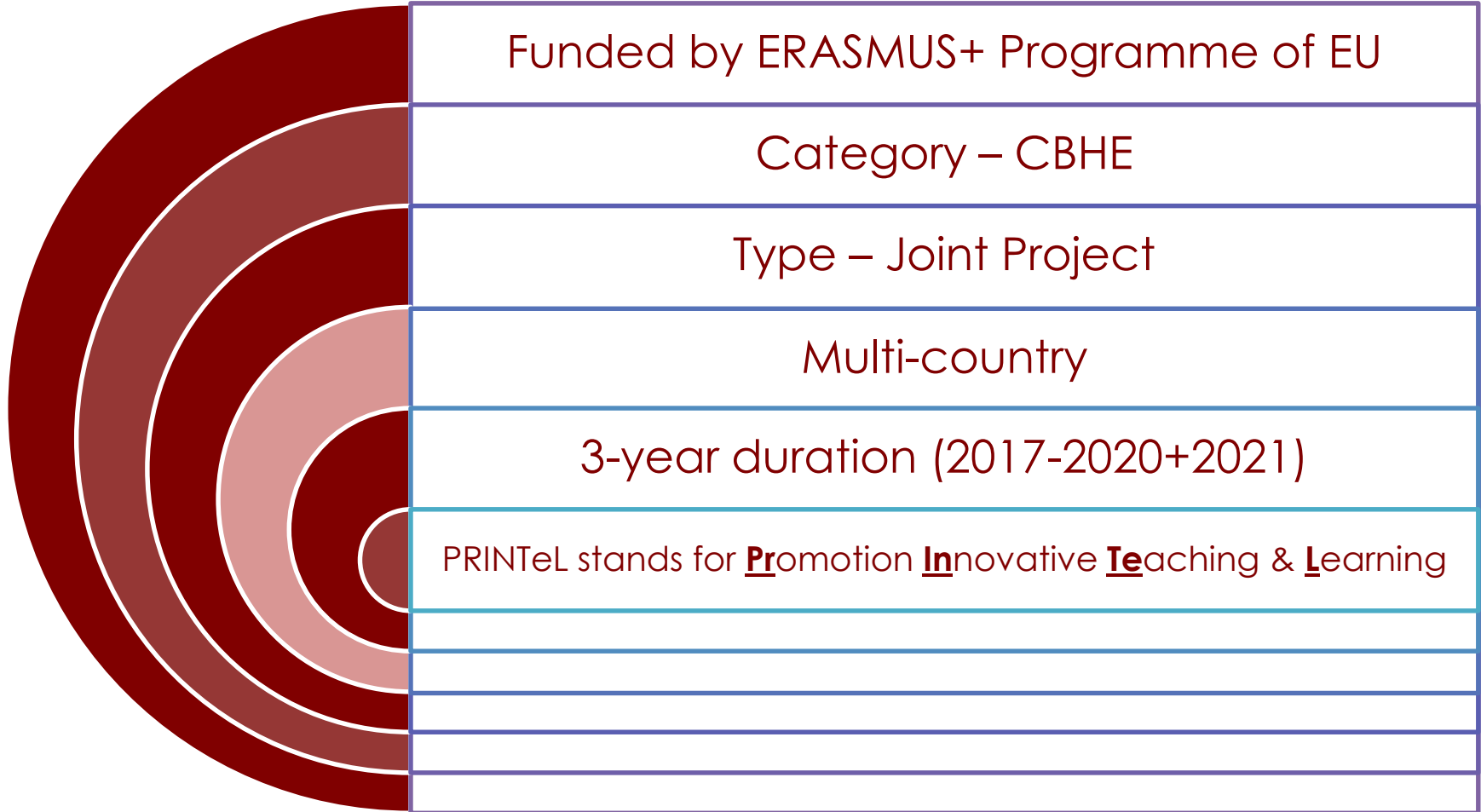
PRINTeL Final Conference



Co-funded by the  
Erasmus+ Programme  
of the European Union



# The PRINTeL Project





# Project Long-Term Goals



Enhancing student learning experience by promoting innovation in T&L and supporting integration of learning with technology



Modernising education through cooperation with EU partners and promotion of virtual peer-learning of teachers and students



# Project Objectives

1

- To strengthen Teaching Staff Development Centres (TSDC)

2

- To build up capacities of teaching staff

3

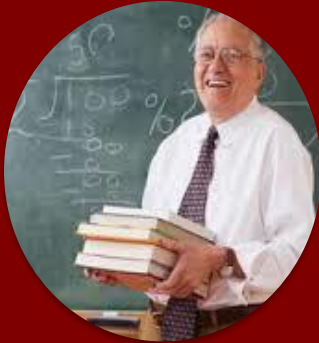
- To establish a Virtual Academy of Teaching & Learning (VATL)

4

- To promote awareness on innovative and technology-enhanced T&L and disseminate best practices



# Why PRINTeL: The Rationale



Enhancing capacity of teaching staff in new pedagogical approaches and innovative T&L methods and tools



Developing practical skills and real-life competences of students through experiential learning



Enhancing functionalities and effectiveness of TSDCs



Creating a virtual platform for building, using and sharing OERs

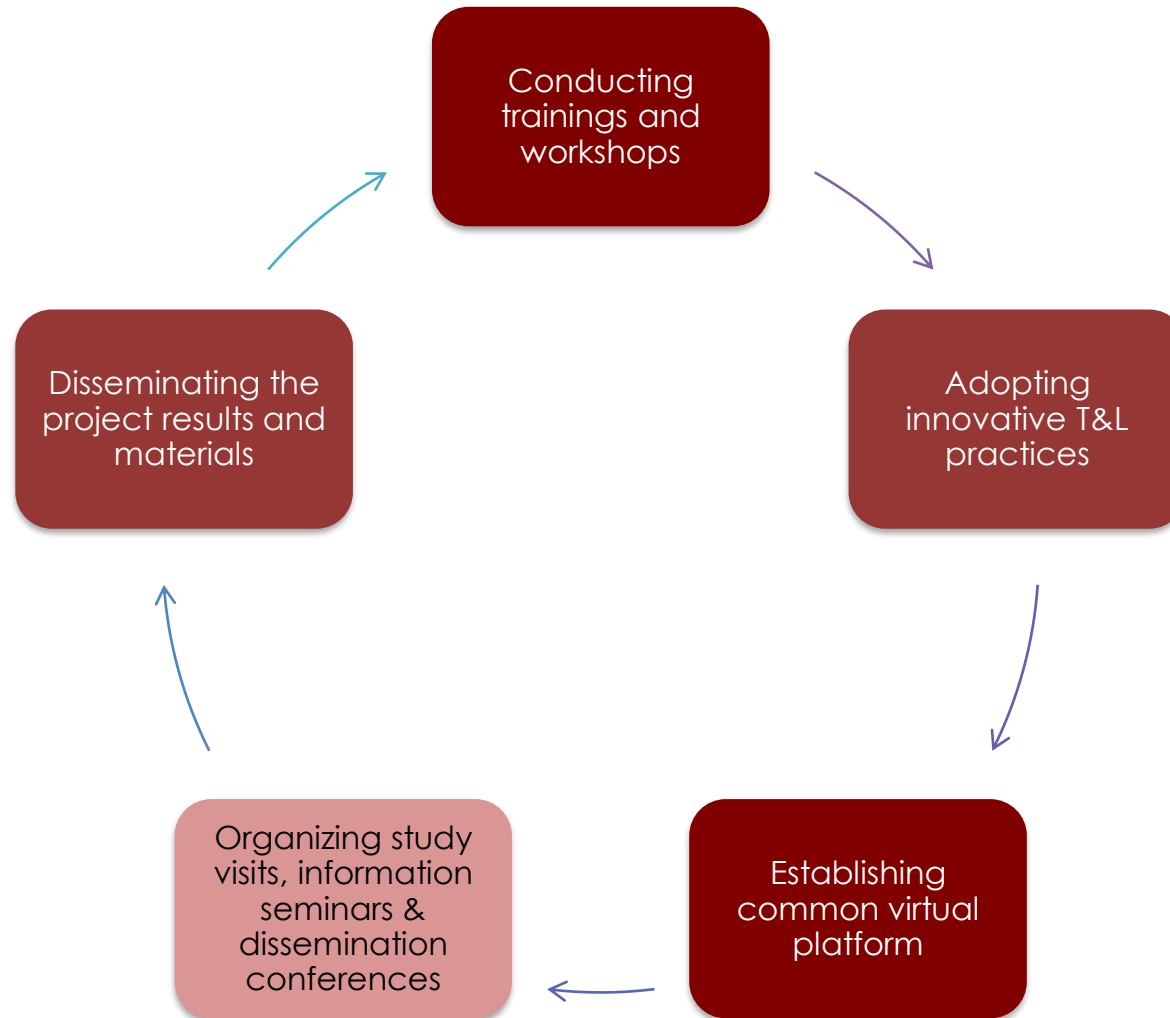


Adopting incentives and award programs for excellence in innovative T&L





# Project methodology





# Project Beneficiaries

Teaching staff

Students

TSDC staff and trainers

Other internal & external stakeholders



# The Consortium

## Partner Country (PC) Institutions



P1. Yerevan State University (YSU) -  
Coordinator



P2. National Polytechnic University of Armenia  
(NPUA)



P3. Vanadzor State University after H.  
Tumanyan (VSU)



P4. Ilia State University (ISU)



P5. Georgian Technical University (GTU)





# The Consortium

## Partner Country (PC) Institutions



P6. Iakob Gogebashvili Telavi State University  
(TeSaU)



P7. Belarusian State University (BSU)



P8. Brest State Technical University (BrSTU)



P9. Yanka Kupala State University of Grodno  
(YKSUG)



P10. National Center for Strategic Research in  
Higher Education (NCSRHE)



# The Consortium

## EU Country Institutions



P11. Katholieke Universiteit Leuven (KU Leuven)



P12. Universitat de Barcelona (UB)



P13. Universidade do Porto (U.PORTO)



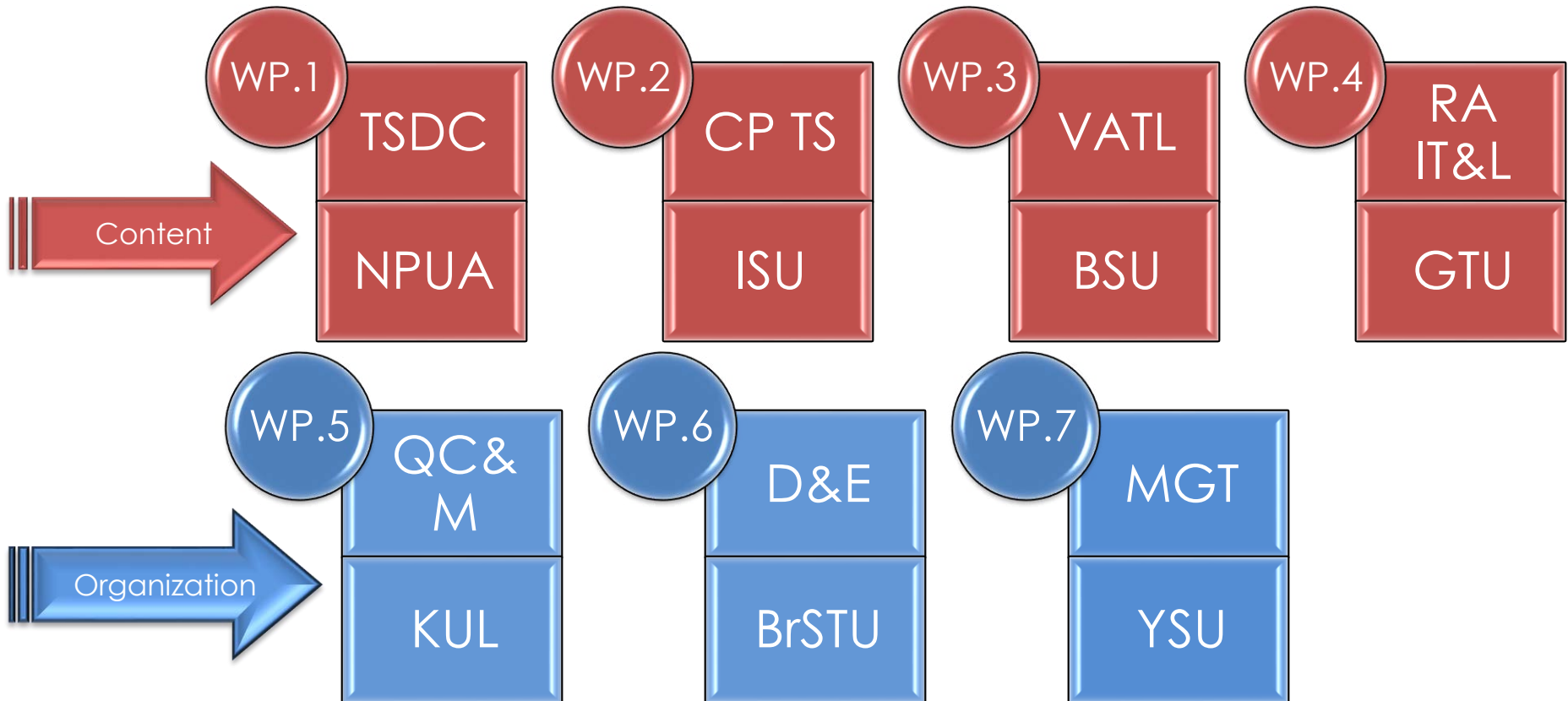
P14. Linköpings Universitet (LiU)



P15. FH Joanneum Gesellschaft mbH (FHJ)



# Overall Design of the Project





# Work Packages

## WP.1: Strengthening Teaching Staff Development Centres (TSDC)

Ref No	Activity	Deliverables
1.1	Study of European best practice experience	TSDC best practice reports
1.2	Conducting local need analysis	Need analysis reports
1.3	Development of operational plans for TSDCs	Operational plans for TSDCs
1.4	Capacity building of TSDCs' staff	Trained staff for TSDCs
1.5	Capacity building of TSDCs' trainers	Trained TSDCs trainers
1.6	Organization of online TOTs on "applying innovative T&L in online medium"	Trained trainers on online methods & tools
1.7	Establishment of electronic teaching & learning infrastructure	Active learning classrooms for teacher training



Co-funded by the  
Erasmus+ Programme  
of the European Union



## **OBJECTIVE-1: STRENGTHENING TSDCs in PC HEIs**

### **Strengthening TSDCs through:**

1. Revision of functionalities
2. Capacity building of staff and trainers
3. Modernization of infrastructure
4. Adoption of innovative teacher training programmes

### **Implemented activities and results:**

- 6 TSDC best practice reports with recommendations
- 9 Need analysis reports on teacher training courses
- 6 approved Operational Plans for TSDCs structure, functionalities and training programmes
- 30 trained staff for TSDCs
- Newly established TSDCs at 4 PC universities



## OBJECTIVE-1: STRENGTHENING TSDCs AT PC HEIs

### Implemented activities and results:

- 5 Training of trainers (TOT) courses delivered by EU Partners
- 100 trained TSDS trainers in 5 innovative and technology-enhanced T&L methods:
  1. *Technology enhanced collaborative learning*
  2. *M-learning & gamification*
  3. *Video lecturing & promoting interaction in classroom*
  4. *Active learning in flipped classroom*
  5. *Hybrid/blended teaching & learning*
- 5 Online training of trainers courses delivered by EU partners
- 100 trained trainers on online instructional methods & tools
- 18 technology-enhanced active learning classrooms in TSDCs for teacher trainings



Co-funded by the  
Erasmus+ Programme  
of the European Union



## OBJECTIVE-1: STRENGTHENING TSDCs AT PC HEIs

Technologically  
-enhanced  
Active Learning  
Classroom for  
teacher training





# Work Packages

## WP.2: Capacity building of teaching staff

Ref No	Activity	Deliverable
2.1	Organization of in-house teacher training (TT) courses	Trained teaching staff
2.2	Organization of workshop to fine-tune TT courses	Recommendations for improvement
2.3	Adoption of TT courses at TSDCs	New regular TT courses in TSDCs
2.4	Piloting innovative T&L methods in PC HEIs curricula	Adopted innovative T&L practices
2.5	Evaluation of students' feedback & follow-up	Reports with recommendations
2.6	Organization of online in-house TTs on "applying innovative T&L in online medium"	Trained teachers on online methods & tools





## **OBJECTIVE-2: CAPACITY BUILDING OF TEACHING STAFF**

### **Developing teachers innovative and technology enhanced T&L skills through:**

1. Adoption of “train the trainer then teacher” scheme
2. In-house physical and **online** teacher trainings
3. Workshops and seminars
4. Real practice and student feedback

### **Implemented activities and results:**

- 100 in-house teacher training courses by trained trainers
- 1,650 trained teachers in 5 innovative T&L methods
- 5 new regular TT courses adopted in TSDCs
- 1,470 trained teachers



Co-funded by the  
Erasmus+ Programme  
of the European Union



## OBJECTIVE-2: CAPACITY BUILDING OF TEACHING STAFF

### Implemented activities and results:

- 9 Follow-up reports with recommendations for improvement
- 80 Online in-house teacher training courses delivered by PC partners
- 1,200 trained teaching staff on online instructional methods & tools
- In total 4,550 trained teachers, trainers and TSDC staff
- 50,000 potential beneficiary students per year



Co-funded by the  
Erasmus+ Programme  
of the European Union



## OBJECTIVE-2: CAPACITY BUILDING OF TEACHING STAFF

**In-house  
teacher  
training  
by the  
trained  
trainer**





# Work Packages

## WP.3: Creating Virtual Academy of Teaching & Learning (VATL)

Ref No	Activity	Deliverable
3.1	Defining functionalities and design of conceptual model for VATL portal	ToR for VATL portal
3.2	Development and testing of ICT solutions/software for VATL	Tested VATL portal software
3.3	Acquisition of software, hardware & studios for VATL support at PC HEIs	Lecture recording studios
3.4	Development of procedures & guidelines for publishing OER content	VATL interactive E-Manual
3.5	Training of TSDC's trainers on preparation of OER materials	Trained trainers
3.6	Operationalization of VATL	Functioning VATL portal



Co-funded by the  
Erasmus+ Programme  
of the European Union



## OBJECTIVE-3. Creating Virtual Academy of Teaching & Learning (VATL)

### Implemented activities and results:

- Fully operational VATL Portal: [www.vatl.yasu.am](http://www.vatl.yasu.am)
  - ✓ online content building tool for creating online courses, OERs and personal instructional websites
  - ✓ repository for e-resources with search functions
  - ✓ virtual communities of teaching practice with discussion forums
  - ✓ provision of online teaching tools
  - ✓ interactive E-manual
- 9 multimedia content building & lecture capture studios
- 30 trained trainers on development of OERs



Co-funded by the  
Erasmus+ Programme  
of the European Union



# VATL Portal: [www.VATL.ysu.am](http://www.VATL.ysu.am)

**VATL**

HOME ABOUT NEWS COMMUNITY DISCUSSIONS COURSES HELP

Log In  
Sign Up

## Virtual Academy for Teaching and Learning

The VATL system provides access to curated online learning and support materials and content creation tools, led by an international community of educators, learners and researchers.



Co-funded by the  
Erasmus+ Programme  
of the European Union



# VATL Portal: [www.VATL.ysu.am](http://www.VATL.ysu.am)



[HOME](#) [ABOUT](#) [NEWS](#) [COMMUNITY](#) [DISCUSSIONS](#) [COURSES](#) [HELP](#)

[Log in](#) [?](#)  
[Sign Up](#)

## VATL discussions



Hybrid/Blended  
teaching

[→ Go to discussion](#)



Active Learning and  
ICT-enhanced  
teaching: M-learning  
and gamification

[→ Go to discussion](#)



Active Learning in the  
Flipped Classroom

[→ Go to discussion](#)



Active Learning with a special focus  
on Technology Enhanced  
Collaborative Learning

[→ Go to discussion](#)



Video as a Learning Tool for  
Teachers and Students/Video  
Lecturing and Promoting Interaction  
in the Classroom

[→ Go to discussion](#)



Co-funded by the  
Erasmus+ Programme  
of the European Union



# Multimedia Lecture Capture Studio







# Work Packages

## WP.4: Raising Awareness on Innovative Teaching & Learning (T&L)

Ref No	Activity	Deliverable
4.1	Creation of virtual communities of teaching practice	Communities around T&L methods
4.2	Establishment of VATL forum on innovative T&L	Virtual forum
4.3	Creation of VATL's social networking services	VATL networking in FB & YouTube
4.4	Adoption of incentive policies & award programs for innovative T&L at PC HEIs	Teaching staff appraisal & institutional awards



Co-funded by the  
Erasmus+ Programme  
of the European Union



## **OBJECTIVE-4. RAISING AWARENESS OF INNOVATIVE T&L**

### **Raising awareness through:**

1. Virtual communities, forums, and social networking services
2. Institutional awards for excellence in T&L
3. Dissemination of good practice

### **Implemented activities and results:**

- 5 Virtual communities of teaching practice around different T&L methods
- 1<sup>st</sup> Annual virtual forum on innovative T&L
- Project FB page and YouTube channel
- Internal institutional regulations and award programmes for excellence in T&L



Co-funded by the  
Erasmus+ Programme  
of the European Union



## OBJECTIVE-4. RAISING AWARENESS OF INNOVATIVE T&L

Institutional  
awards for  
the  
excellence  
in T&L





# Work Packages

## WP.5: Quality Control & Monitoring (QC&M)

Ref No	Activity	Deliverable
5.1	Establishment of project QC&M bodies	Quality Evaluation Committee
5.2	Internal monitoring & evaluation of project activities	3 Annual monitoring reports
5.3	Evaluation of project WPs' quality	5 WP quality reports by EU partners
5.4	Annual external quality control	2 External evaluation reports



# Work Packages

## WP.6: Dissemination & Exploitation

Ref No	Activity	Deliverable
6.1	Creation and maintenance of the project website	PRINTeL website
6.2	Publication and dissemination of information materials & teacher's handbook	Leaflets, Newsletters, Brochures, Handbook
6.3	Organization of press conferences & interviews	Informed HE communities in PC partner countries
6.4	Organization of workshops & information seminars	Information seminar and master classes
6.5	Organization of interim & final dissemination conferences	Dissemination conferences



Co-funded by the  
Erasmus+ Programme  
of the European Union



## OBJECTIVE-6. DISSEMINATION & EXPLOITATION

### Implemented activities and results:

- Functioning PRINTeL Website: [www.PRINTeL.am](http://www.PRINTeL.am)
- Project's official leaflet, 1000 copies disseminated
- 6 E-newsletters
- 5 E-brochures on innovative T&L
- 800 copies of the Teacher's Handbook on Innovative and Technologically-enhanced T&L (available for download from the project website)
- 1 Information seminar and 12 Online master classes
- Interim & final dissemination conferences



Co-funded by the  
Erasmus+ Programme  
of the European Union



# PRINTeL Website: [www.PRINTEL.am](http://www.PRINTEL.am)

**CHANGE IN CLASSROOM:**  
Promoting Innovative Teaching & Learning  
to Enhance Student Learning Experience  
in Eastern Partnership Countries

HOME ABOUT PRINTeL WORK PACKAGES PROJECT MANAGEMENT PUBLIC DELIVERABLES NEWS & EVENTS MEDIA USEFUL LINKS CONTACTS

International Conference-Workshop at Yerevan State University

**Welcome**

Welcome to the official website of the ERASMUS+ CBHE Pilot/Chic Project funded by the European Union, the main objective of which is to enhance student learning experience in Partner Countries' skills by promoting development and innovation in teaching & learning, supporting integration of research and dissemination of good practice.

In this website you will find thorough information on all the aspects of the Project, such as the aims and objectives, activities, project partners, expected results and many others.

Please, stay informed on PRINTeL news, events and public deliverables by subscribing or contacting us through this website.

**ERASMUS+ PRINTeL Project**

**VATI PORTAL**

**NEWS**

**PRINTeL Master Classes "Teachers in Digitalized Virtual Space"**  
04 Dec 2021  
Master Classes devoted to a topic on innovative teaching and learning were held on the 6th of September, 2021.

**Upcoming Event**

**ERASMUS+ PRINTeL FINAL INNOVATION ONLINE CONFERENCE "CHANGE IN THE CLASSROOM"**



Co-funded by the  
Erasmus+ Programme  
of the European Union



# PRINTeL Website: [www.PRINTEL.am](http://www.PRINTEL.am)



## PRINTeL Master Classes "Teachers in Digitalized Virtual Space"

08 Sep 2021

Master Classes devoted to 6 topics on innovative teaching and learning were held on the 8th of September, 2021.

[read more](#)



## Innovative and Technology-Enhanced Teaching and Learning Teacher's Handbook

31 Aug 2021

Teacher's Handbook on application of technologies in active teaching and learning.

[read more](#)



## PRINTeL'S 1ST ANNUAL TEACHING & LEARNING FORUM

24 May 2021

"ISSUES AND PERSPECTIVES OF DIGITALLY-ENHANCED TEACHING & LEARNING IN

### Upcoming Event

29  
Sep



ERASMUS+ PRINTeL  
FINAL DISSEMINATION ONLINE  
CONFERENCE  
"CHANGE IN THE CLASSROOM"

ERASMUS+ PRINTEL FINAL  
DISSEMINATION ONLINE  
CONFERENCE "CHANGE IN  
THE CLASSROOM"

Stay informed on PRINTeL news

### Private Area



Login

Open "printel.jssu.am/category/news/innovative-and-technology-enhanced-teach" in a new tab





Co-funded by the  
Erasmus+ Programme  
of the European Union



# TEACHER'S HANDBOOK





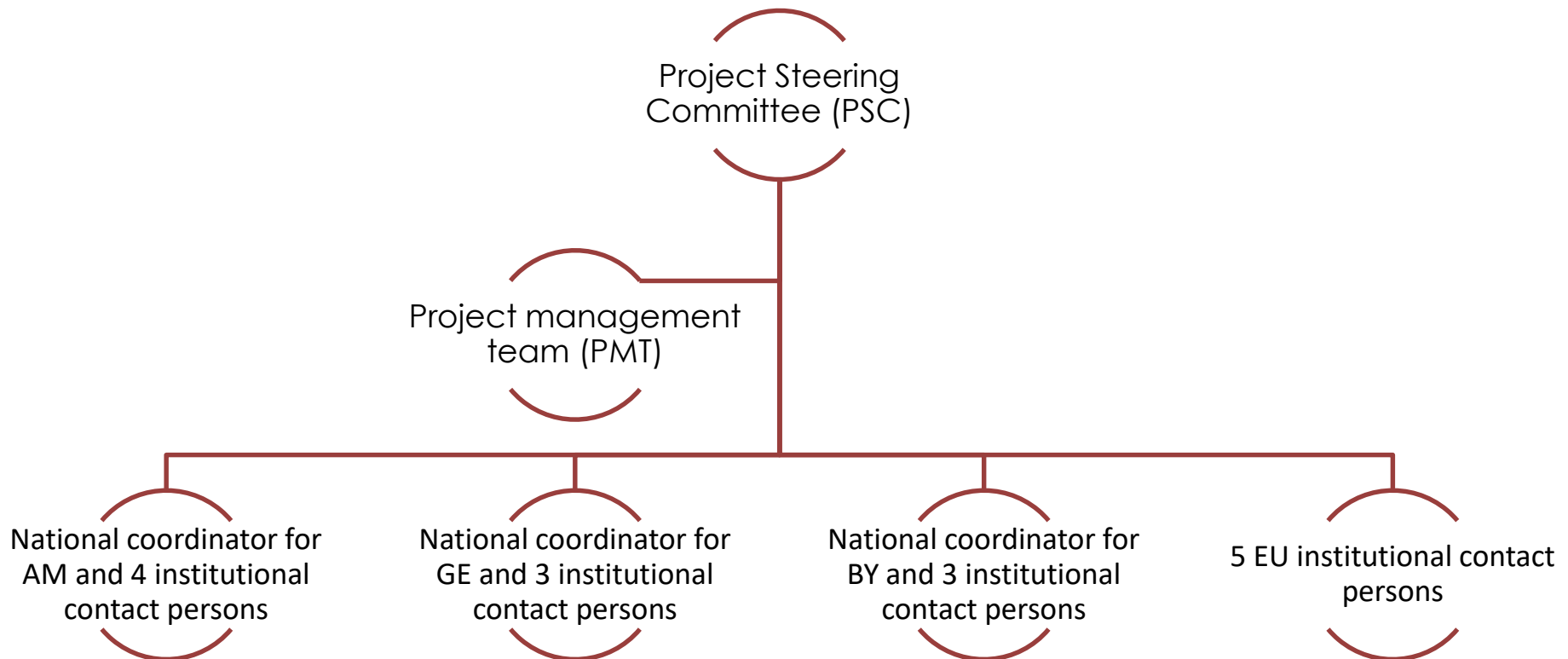
# Work Packages

## WP.7: Management

Ref No	Activity	Deliverable
7.1	Establishment of project management bodies	Project management team, Project steering committee, 15 Institutional coordinators
7.2	Organization of the kick-off and coordination meetings	Kick-off and 6 Coordination meetings
7.3	Overall project management & administration	Day-to-day management, project intermediate & final reports
7.4	External financial audit	Financial audit report



# Project management





# Project Communication

Following means for communication were used



E-mail: [printel@ysu.am](mailto:printel@ysu.am)



Website: [www.PRINTeL.y-su.am](http://www.PRINTeL.y-su.am)



Facebook: PRINTeL Project



Google Drive: PRINTeL Project



Skype: PRINTeL Project



Zoom Video Platform



# Main Outputs and Outcomes



30 staff and 100 trainers trained on innovative T&L methods and technology-enhanced instruction



18 technology-enhanced teacher training classrooms, 9 multimedia OER content building studios and 5 new teacher training courses



Over 4,400 trained university teachers who are no more just “lecturers” but “designers of learning methods & environments”



VATL - an interactive professional development, mutual learning and virtual mobility platform of teachers to promote innovative T&L practices



5 virtual communities of teaching practice, annual Virtual Forum and institutional award programmes promoting innovative pedagogy and excellence in T&L



6 electronic newsletters, 5 T&L brochures, VATL Manual, Good Practice Teacher's Handbook



# THANK YOU FOR YOUR ATTENTION!



- Email: [printel@ysu.am](mailto:printel@ysu.am)
- Website: [www.printel.am](http://www.printel.am)
- VATL: [www.vatl.ysu.am](http://www.vatl.ysu.am)